

# Jammin X1-CRT Set-Up Sheet

Driver: \_\_\_\_\_

Track: \_\_\_\_\_ Date: \_\_\_-\_\_\_-\_\_\_ Air Temp: \_\_\_\_\_

Track Size	Traction	Surface
<input type="checkbox"/> open	<input type="checkbox"/> High	<input type="checkbox"/> Smooth
<input type="checkbox"/> Medium	<input type="checkbox"/> Medium	<input type="checkbox"/> Medium
<input type="checkbox"/> Tight	<input type="checkbox"/> Low	<input type="checkbox"/> Bumpy

## Front Suspension

Shock Spring: \_\_\_\_\_

Shock Piston:  Standard  Drilled

Shock Oil wt: \_\_\_\_\_

Shock Length  
(Bottom of body to shock end) \_\_\_\_\_

Toe-IN:  \_\_\_\_\_

Toe-Out:  \_\_\_\_\_

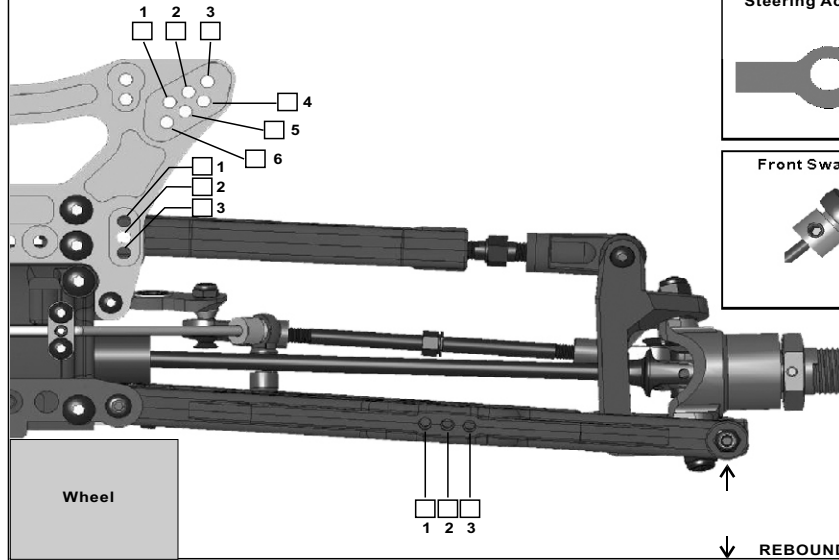
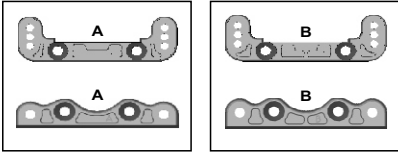
Front Ride Height: \_\_\_\_\_

Sway Bar:  2mm  2.3mm  2.5mm

Camber:  Neg:   2   Degrees

Pos: \_\_\_\_\_

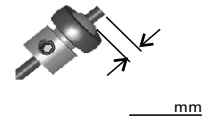
Caster Block:  A/A  B/B



Steering Ackerman Location



Front Sway Bar Preload



Notes: \_\_\_\_\_

## Rear Suspension

Shock Spring: \_\_\_\_\_

Shock Piston:  Standard  Drilled #

Shock Oil wt: \_\_\_\_\_

Shock Length  
(Bottom of body to shock end) \_\_\_\_\_

Rear Ride Height: \_\_\_\_\_

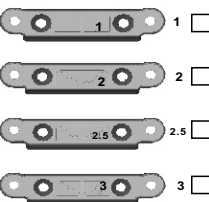
Sway Bar:  2.3mm  2.5mm  2.8mm  
 \_\_\_\_\_  None

Camber:  Neg: \_\_\_\_\_

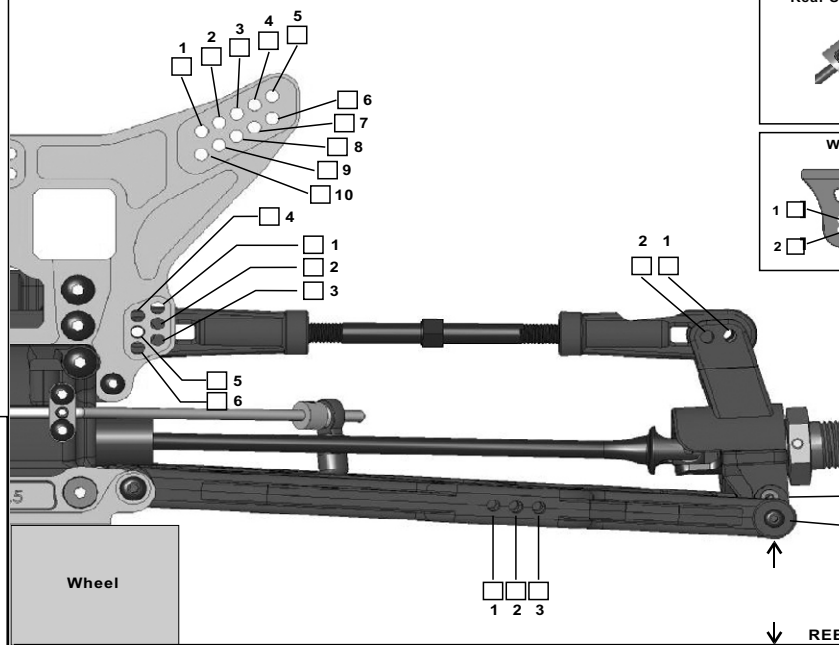
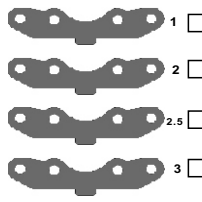
Pos: \_\_\_\_\_

Rear Hub/Wheelbase:  Forward  Middle  Back  
 Reversed  Back

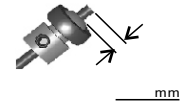
Rear Toe-In Plate



Anti-Squat Plate



Rear Sway Bar Preload



Wing Position



↑ REBOUND STOP  
↓ REBOUND STOP

## Differential

Front Type:  STD  Torsen Oil \_\_\_\_\_

Center Type:  STD  Torsen Oil \_\_\_\_\_

Rear Type:  STD  Torsen Oil \_\_\_\_\_

## Tires

Front Type: \_\_\_\_\_ Compound \_\_\_\_\_ Foam: \_\_\_\_\_

Rear Type: \_\_\_\_\_ Compound \_\_\_\_\_ Foam: \_\_\_\_\_

Note: \_\_\_\_\_

## Engine

Type: \_\_\_\_\_

Head Clearance \_\_\_\_\_ Port: \_\_\_\_\_

Pipe: \_\_\_\_\_

Fuel: \_\_\_\_\_ %

Plug \_\_\_\_\_  Turbo  Normal

## CLUTCH

Shoe Brand: \_\_\_\_\_ Compound: \_\_\_\_\_  ALUM:  Blue  Red

Spring Brand: \_\_\_\_\_ Tension: \_\_\_\_\_

Gearing:  13T  14T TO  53T Other \_\_\_T

Note: \_\_\_\_\_

Clutch Shoes:

2 Shoes

3 Shoes

4 Shoes