

X2 Truggy Set-up Sheet

Driver: ChadBradley

Track: Reedy Truck Race - Hot Rods, Ca.

Air Temp: 80 - 85 F

Track Size	Traction	Surface
<input type="checkbox"/> open	<input checked="" type="checkbox"/> High	<input checked="" type="checkbox"/> Smooth
<input type="checkbox"/> Medium	<input type="checkbox"/> Medium	<input type="checkbox"/> Medium
<input checked="" type="checkbox"/> Tight	<input type="checkbox"/> Low	<input type="checkbox"/> Bumpy

Front Suspension

Shock Spring: Grey

Shock Piston: Std 1.4 x 6 Drilled

Shock Oil wt: 50 wt Losi

Shock Length (Center to Center) _____

Toe-IN: _____

Toe-Out: 1 degree

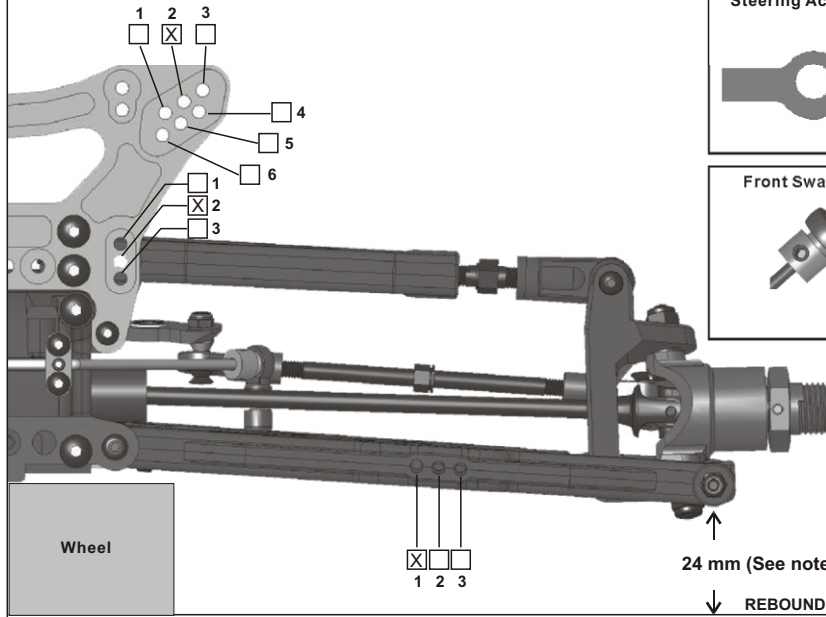
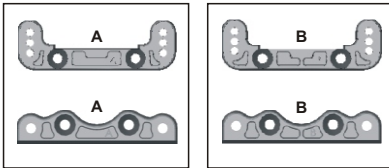
Front Ride Height: Arms Level

Sway Bar: 2mm 2.3mm 2.5mm

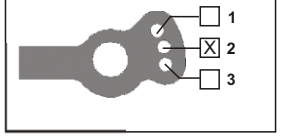
Camber: Neg: 2 Degree

Pos: _____

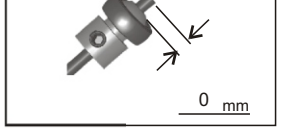
Caster Block: A/A B/B



Steering Ackerman Location



Front Sway Bar Preload



Notes: Front and rear-Rebound stop measured using buggy wheel. Measure at rear (lowest part) of arm.

Rear Suspension

Shock Spring: Grey

Shock Piston: Std 1.4 x 6 Drilled

Shock Oil wt: 42.5 wt Losi

Shock Length (Center to Center) Use Long End

Rear Ride Height: Arms level

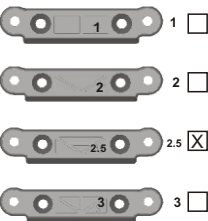
Sway Bar: 2.3mm 2.5mm 2.8mm
 _____ None

Camber: Neg: 3 Degree

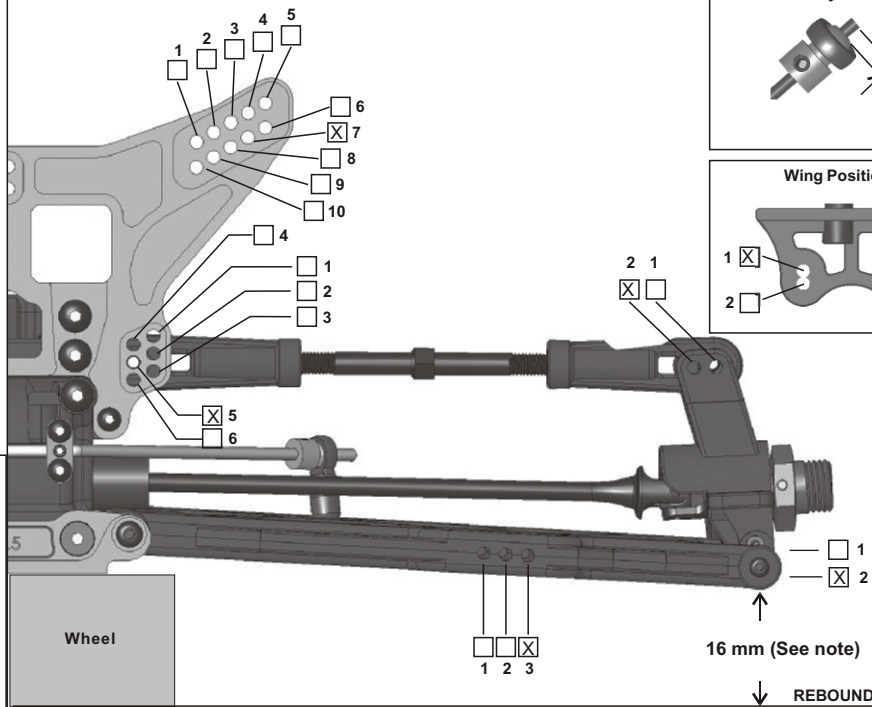
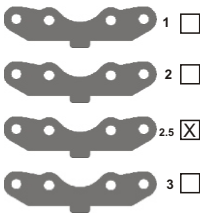
Pos: _____

Rear Hub/Wheelbase: Forward Middle Back

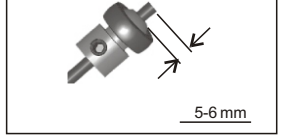
Rear Toe-In Plate



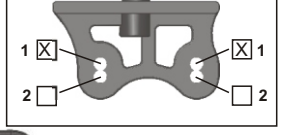
Anti-Squat Plate



Front Sway Bar Preload



Wing Position



Differential

Front Type: STD Torsen Oil 30_K

Center Type: STD Torsen Oil 50_K

Rear Type: STD Torsen Oil 5_K

Tires

Front Type: ProlineHoleshot Compound_XTR Foam: Std

Note: _____

Engine

Type: OS

Head Clearance _____ Port: _____

Pipe: OS2060

Fuel: Werks 30%

Plug P3 Turbo Normal

CLUTCH

Shoe Brand: Jammin Compound: _____ ALUM: Blue Red

Spring Brand: Jammin Tension 1.1mm

Gearing: 13T 14T TO 46T 48T

Note: _____

Clutch Shoes:

2 Shoes

3 Shoes

4 Shoes