

Jammin X1-CRT Set-Up Sheet

Driver: Chad Bradley

Track: The Dirt Nitro Challenge

Air Temp: 45-50F

Track Size	Traction	Surface
<input type="checkbox"/> open	<input type="checkbox"/> High	<input type="checkbox"/> Smooth
<input checked="" type="checkbox"/> Medium	<input checked="" type="checkbox"/> Medium	<input type="checkbox"/> Medium
<input type="checkbox"/> Tight	<input type="checkbox"/> Low	<input checked="" type="checkbox"/> Bumpy

Front Suspension

Shock Spring: Blue

Shock Piston: Standard Drilled

Shock Oil wt: 55 Losi mixed

Shock Length
(Bottom of body to shock end) N/A

Toe-IN:

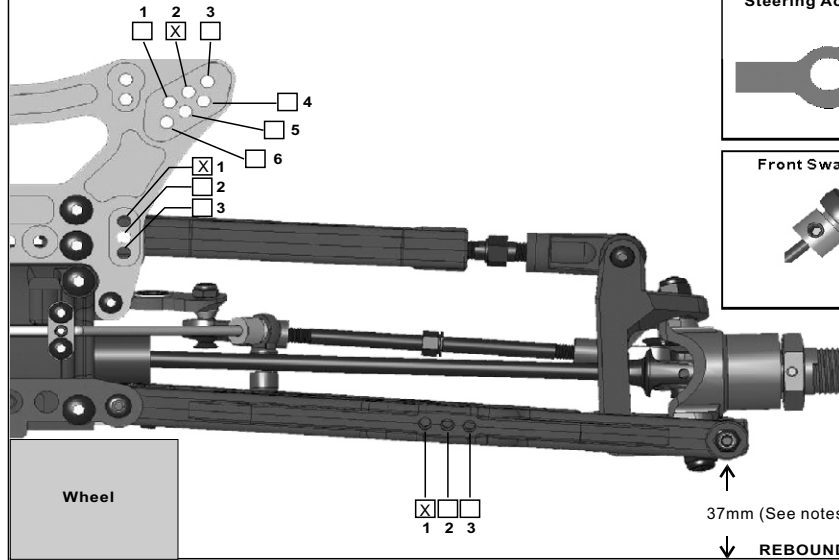
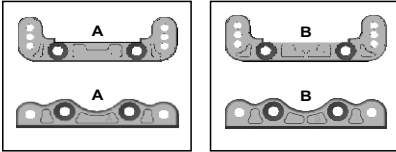
Toe-Out: 2 Degree

Front Ride Height: Arms level

Sway Bar: 2mm 2.3mm 2.5mm

Camber: Neg: 2 Degrees
 Pos:

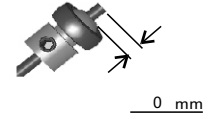
Caster Block: A/A B/B



Steering Ackerman Location



Front Sway Bar Preload



Notes: Use an unmounted CRT wheel under chassis and measure from table to outer rear of arm. 37mm (See notes)
↓ REBOUND STOP

Rear Suspension

Shock Spring: Blue

Shock Piston: Standard Drilled

Shock Oil wt: 45 Losi

Shock Length
(Bottom of body to shock end) N/A

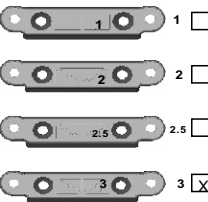
Rear Ride Height: Slightly above arms level

Sway Bar: 2.3mm 2.5mm 2.8mm
 None

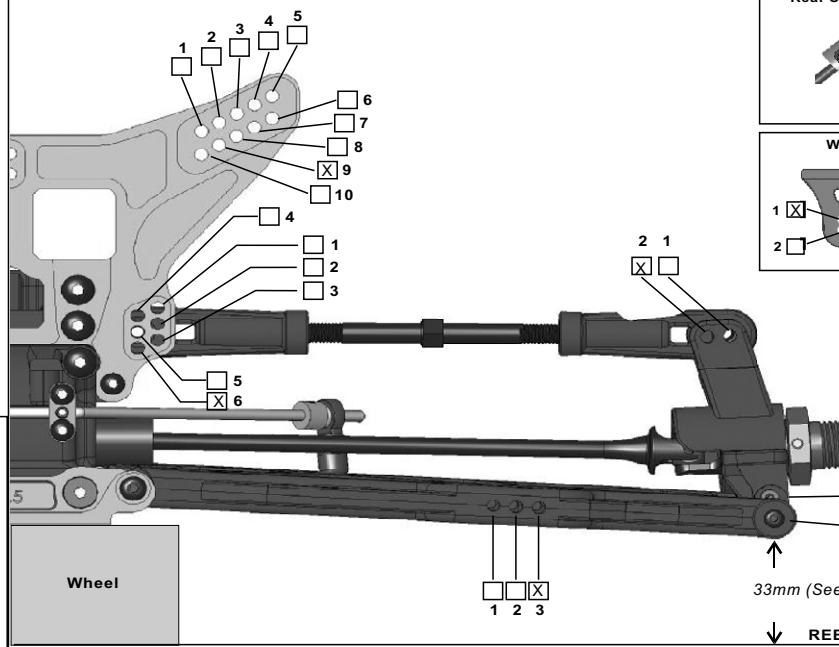
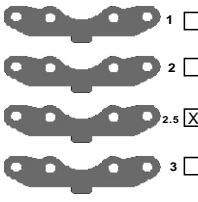
Camber: Neg: 3 Degrees
 Pos:

Rear Hub/Wheelbase: Forward Middle
 Back

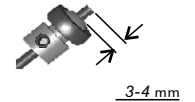
Rear Toe-In Plate



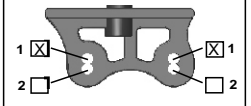
Anti-Squat Plate



Rear Sway Bar Preload



Wing Position



33mm (See above notes)
↓ REBOUND STOP

Differential

Front Type: STD Torsen Oil 7K

Center Type: STD Torsen Oil 20K

Rear Type: STD Torsen Oil 3K

Tires

Front Type: PL Crime Fighter MT Compound STD Foam: STD

Rear Type: PL Crime Fighter MT Compound STD Foam: STD

Note: Tire mounted on inside of inner bead and rim trimmed

Engine

Type: OS VSpec .21

Head Clearance STD Port: STD

Pipe: Jammin JP-1

Fuel: Byron RACE 30%

Plug A3 Turbo Normal

CLUTCH

Shoe Brand: Jammin Compound: ALUM: Blue Red

Spring Brand: Jammin Tension: Gold Heavy 1.1mm

Gearing: 13T 14T TO 62T Other T

Note: Prep clutch as per Tips on web site

Clutch Shoes:

2 Shoes

3 Shoes

4 Shoes