

Driver: Taylor James

Real R/C Raceway, Pleasant Hill, MO

Date: 5/06

Track: R/C Pro South Round 2

AirTemp: F C

TRACK: SIZE	TRACTION:	SURFACE:
<input type="checkbox"/> OPEN	<input type="checkbox"/> HIGH	<input type="checkbox"/> DUST
<input checked="" type="checkbox"/> MEDIUM	<input checked="" type="checkbox"/> MEDIUM	<input checked="" type="checkbox"/> MEDIUM
<input type="checkbox"/> TIGHT	<input type="checkbox"/> LOW	<input type="checkbox"/> BUMPY

Front Suspension

Shock Spring: Red

Shock Piston: Standard Drilled

Shock Oil wt: 45 wt. Assoc.

Shock Length (Center to Center) Short Shock End mm

Toe-IN:

Toe-Out: 1 degrees

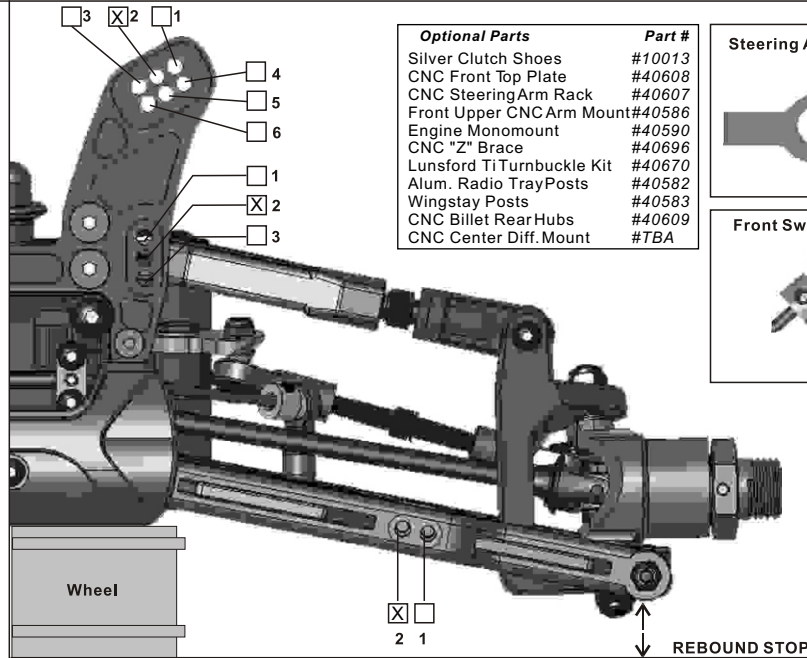
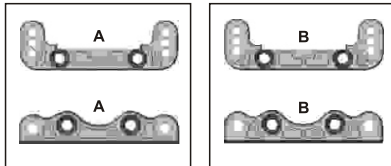
Front Ride Height: Arms level

Sway Bar: 2mm 2.3mm 2.5mm
 None

Camber: Neg: 2 degrees

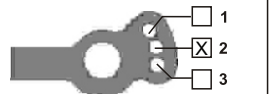
Pos: _____

Caster Block: A/A B/B

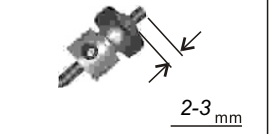


Optional Parts	Part #
Silver Clutch Shoes	#10013
CNC Front Top Plate	#40608
CNC Steering Arm Rack	#40607
Front Upper CNC Arm Mount	#40586
Engine Monomount	#40590
CNC "Z" Brace	#40696
Lunsford Ti Turnbuckle Kit	#40670
Alum. Radio Tray Posts	#40582
Wingstay Posts	#40583
CNC Billet Rear Hubs	#40609
CNC Center Diff. Mount	#TBA

Steering Ackerman Location



Front Sway Bar Preload



Notes: _____

Rear Suspension

Shock Spring: Red

Shock Piston: Standard Drilled

Shock Oil wt: 35wt Assoc.

Shock Length (Center to Center) Short Shock End mm

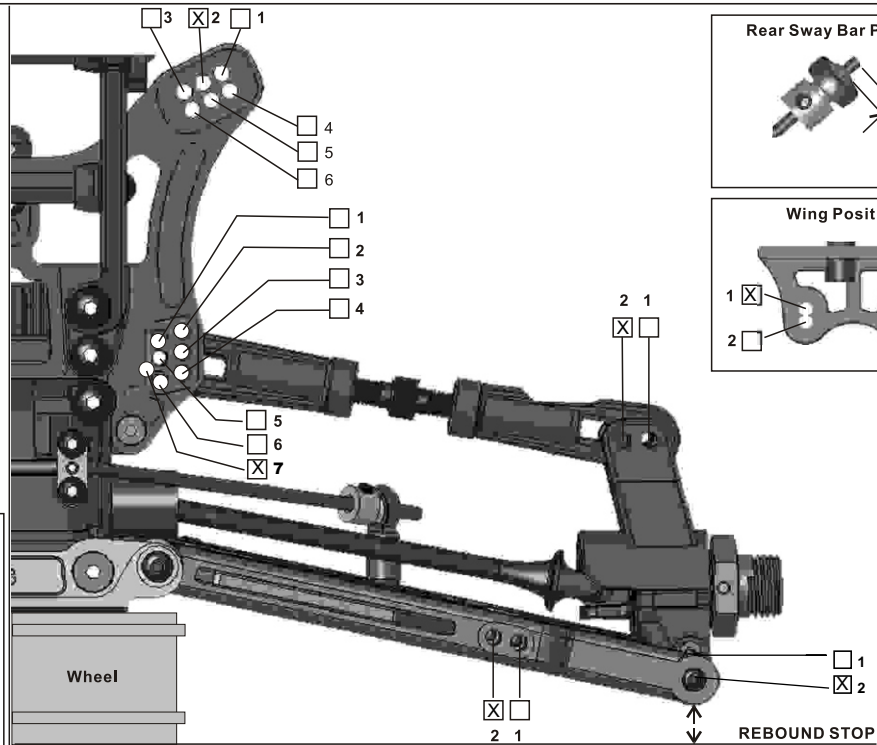
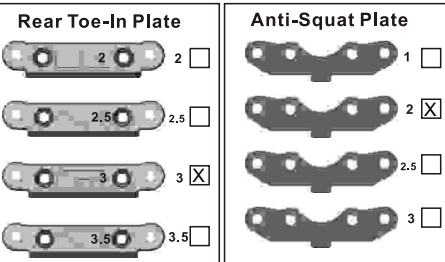
Rear Ride Height: Arms slightly above level

Sway Bar: 2.3mm 2.5mm 2.8mm
 None

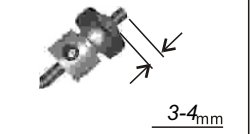
Camber: Neg: 3 degrees

Pos: _____

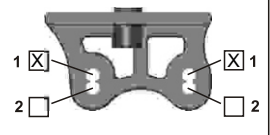
Rear Hub/Wheelbase: Forward Middle
 Back



Rear Sway Bar Preload



Wing Position



Differential

Front Type: STD Torsen Oil: 5_K

Center Type: STD Torsen Oil: 7_K

Rear Type: STD Torsen Oil: 3_K

Tires

Front Type: Proline Crime Fighter Compound M2 Insert Foam: Proline Grey

Rear Type: Proline Crime Fighter Compound M2 Insert Foam: Proline Grey

Note: _____

Engine

Type: O.S. V Spec Port: _____

Plug: O'Donnell 97 Normal Turbo

Head Clearance: Std.

Pipe: OS 2050

Fuel Brand: O'Donnell / 30 %

CLUTCH

Shoe Brand: Jammin Compound Silver Alum. ALUM: Blue Purple

Spring Brand: Jammin Tension Gold Spring 1.1 mm

Gearing: 13T 14T To 46T 48T

Note: _____

Clutch Shoes:

- 2 Shoe
- 3 Shoe
- 4 Shoe
- _____