

Driver: Taylor James

Date: 3/06

Track: Silver State Nitro Champs

AirTemp: 75

F  C

TRACK: SIZE

TRACTION:

SURFACE:

- OPEN  
 MEDIUM  
 TIGHT

- HIGH  
 MEDIUM  
 LOW

- DUST  
 MEDIUM  
 BUMPY

## Front Suspension

Shock Spring: Red

Shock Piston:  Standard  Drilled

Shock Oil wt: 45 wt. Assoc.

Shock Length (Center to Center) Short Shock End mm

Toe-IN:

Toe-Out:  1 degrees

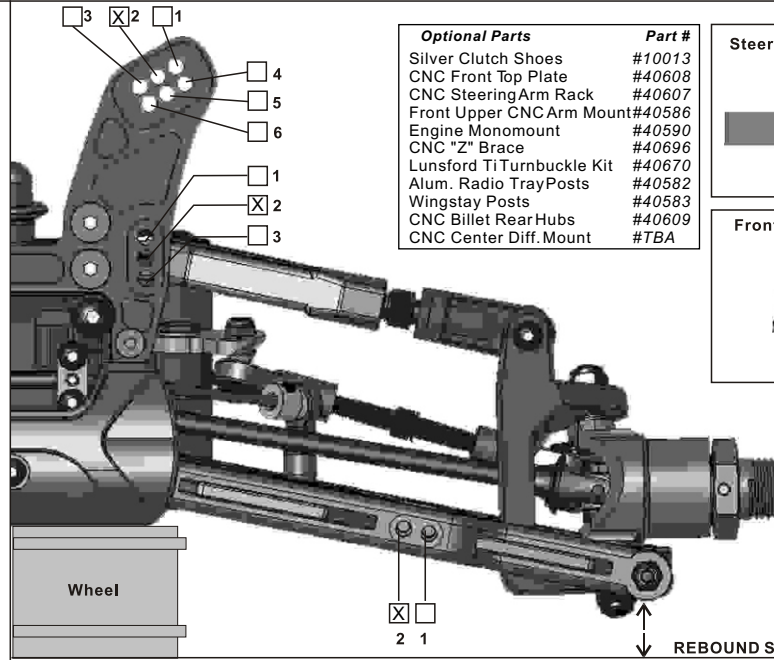
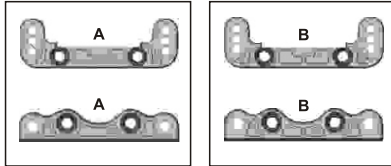
Front Ride Height: Arms level

Sway Bar:  2mm  2.3mm  2.5mm  
 None

Camber:  Neg: 2 degrees

Pos:

Caster Block:  A/A  B/B

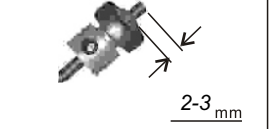


Optional Parts	Part #
Silver Clutch Shoes	#10013
CNC Front Top Plate	#40608
CNC Steering Arm Rack	#40607
Front Upper CNC Arm Mount	#40586
Engine Monomount	#40590
CNC "Z" Brace	#40696
Lunsford Ti Turnbuckle Kit	#40670
Alum. Radio Tray Posts	#40582
Wingstay Posts	#40583
CNC Billet Rear Hubs	#40609
CNC Center Diff. Mount	#TBA

### Steering Ackerman Location



### Front Sway Bar Preload



Notes: \_\_\_\_\_

## Rear Suspension

Shock Spring: Red

Shock Piston:  Standard  Drilled

Shock Oil wt: 35wt Assoc.

Shock Length (Center to Center) Short Shock End mm

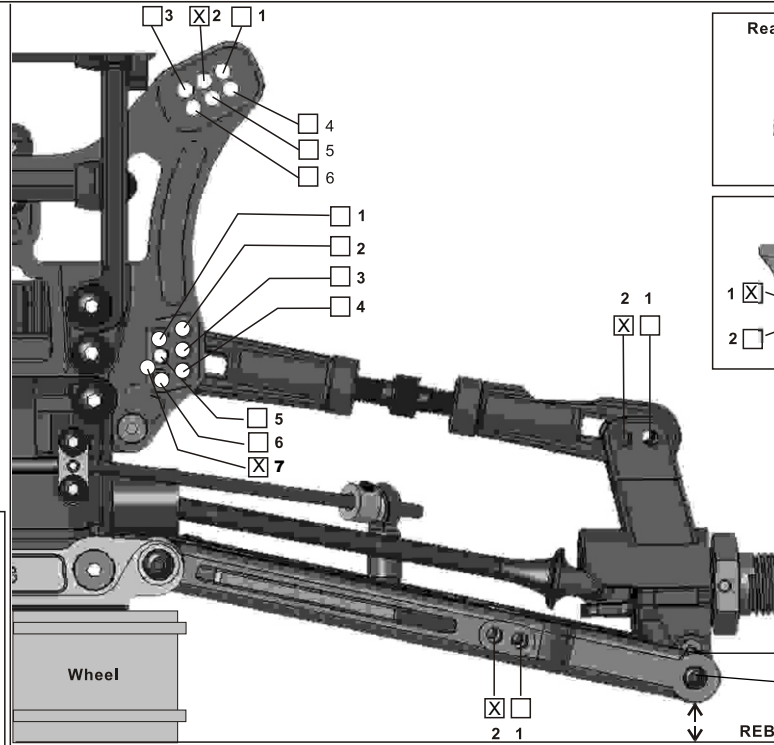
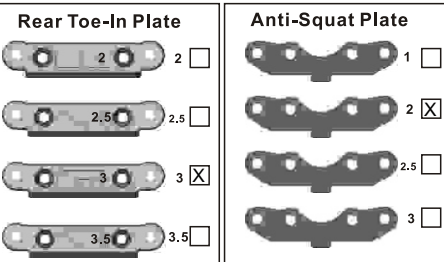
Rear Ride Height: Arms slightly above level

Sway Bar:  2.3mm  2.5mm  2.8mm  
 None

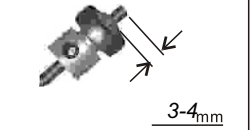
Camber:  Neg: 3 degrees

Pos:

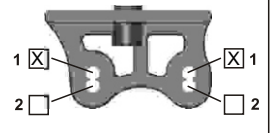
Rear Hub/Wheelbase:  Forward  Middle  
 Back



### Rear Sway Bar Preload



### Wing Position



Notes: \_\_\_\_\_

## Differential

Front Type:  STD  Torsen Oil: 5 K

Center Type:  STD  Torsen Oil: 7 K

Rear Type:  STD  Torsen Oil: 3 K

## Tires

Front Type: Proline Crime Fighter Compound M2

Insert Foam: Proline Grey

Rear Type: Proline Crime Fighter Compound M2

Insert Foam: Proline Grey

Note: \_\_\_\_\_

## Engine

Type: O.S. V Spec Port: \_\_\_\_\_

Plug: O'Donnell 97  Normal  Turbo

Head Clearance: Std.

Pipe: OS 2050

Fuel Brand: O'Donnell / 30 %

## CLUTCH

Shoe Brand: Jammin Compound Silver Alum. ALUM:  Blue  Purple

Spring Brand: Jammin Tension Gold Spring 1.1 mm

Gearing:  13T  14T To  46T  48T

Note: \_\_\_\_\_

### Clutch Shoes:

- 2 Shoe  
 3 Shoe  
 4 Shoe  
 \_\_\_\_\_